

Fossa

FO 0009-0030 B



FO 0030 B

Description

The Fossa scroll vacuum pumps feature a non-contacting scroll design that reaches high vacuum and suction capacity at lower power consumption.

Features

- Non-contacting design, no wear in the pumping chamber
- Dry running, no sealing or lubricating oil is needed in the pumping chamber resulting in completely clean oil-free vacuum

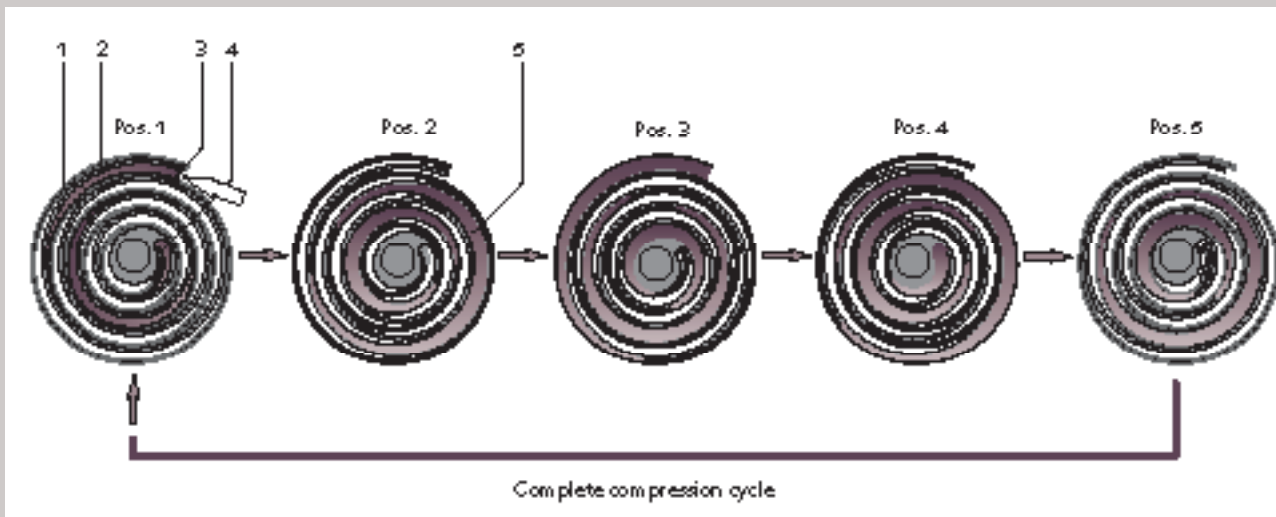
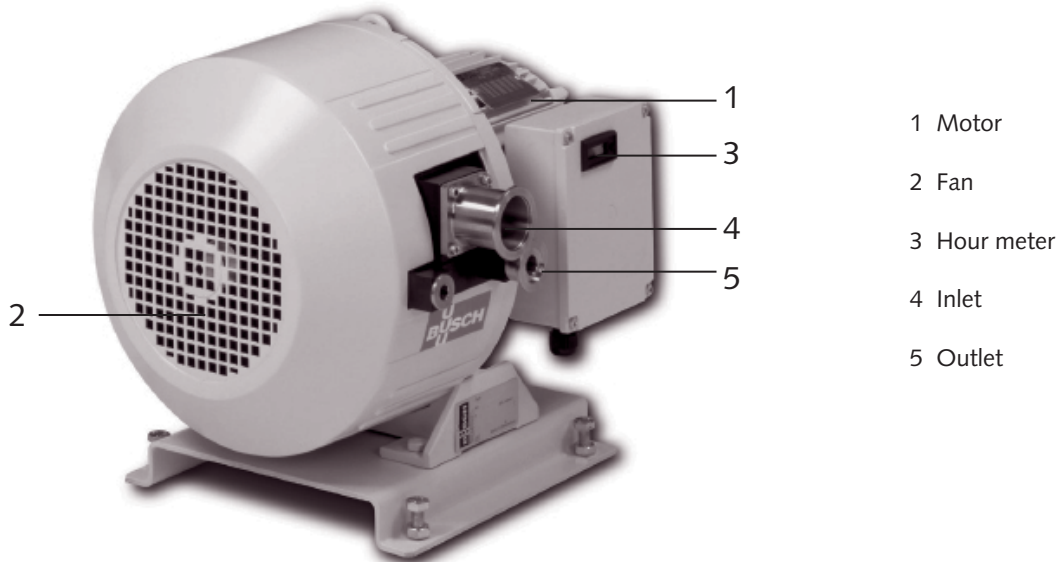
- Low operating costs, due to the maintenance-free design and reduced power requirements
- Air cooled, requiring no water
- Low vibration and low noise level
- Easy to transport - due to light-weight and compact design
- No nitrogen purge gas required

Applications

- Load locks
- Transfer chambers
- Helium leak detection
- Laboratory applications
- Analytical devices
- Mass spectrometers
- Dry and clean vacuum systems
- Microscopy

Scroll Vacuum Pumps

Operating Principle



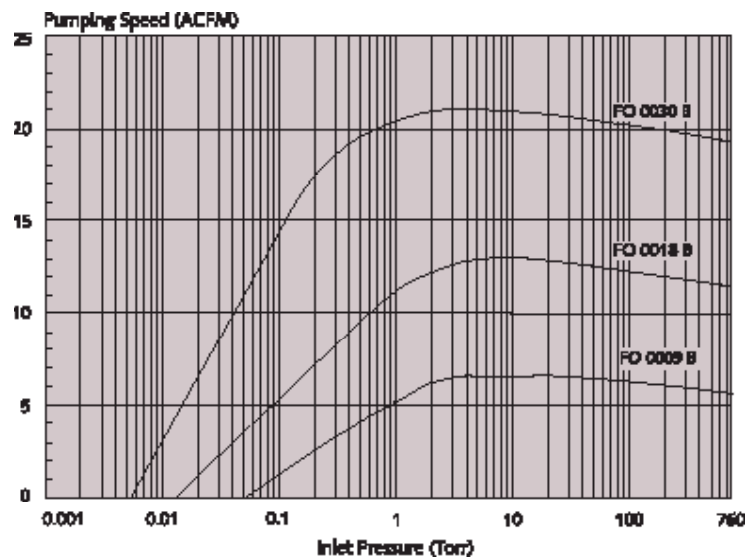
Operating Principle

The Fossa scroll vacuum pump consists of a fixed scroll and an orbiting scroll which mesh to form successive crescent shaped volumes. The orbiting action of the driven scroll continuously compresses the

crescent shaped gas pockets and transfers them to the center of the pump to be discharged through the outlet port.

- 1 Fixed scroll
- 2 Rocking scroll
- 3 Gas Inlet
- 4 Gas outlet
- 5 Gas pocket

Pumping Speed vs. Inlet Pressure



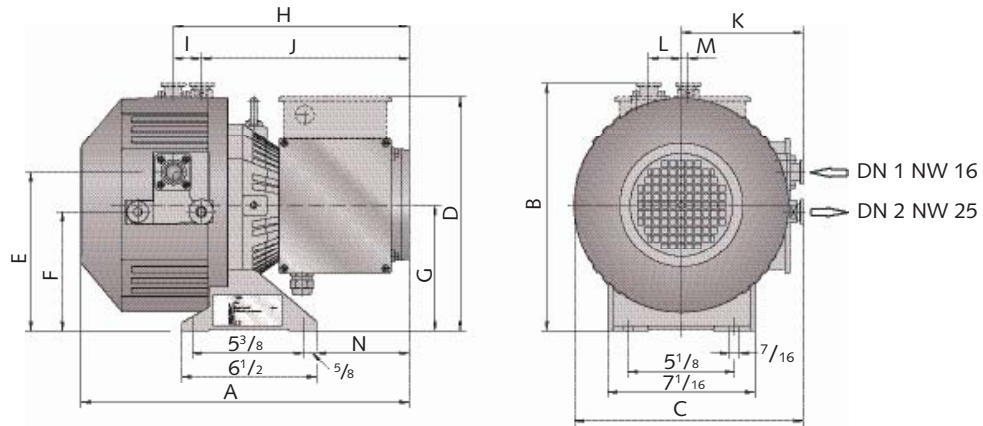
Technical Data		FO 0009 B	FO 0018 B	FO 0030 B
Nominal pumping speed	CFM	6.5	13	21
Inlet pressure	Torr	.056	.013	.0056
Motor size	kW (HP)	0.2 (0.3)	0.37 (0.5)	0.6 (0.8)
Nominal motor speed	RPM	1800	1800	1800
Approximate weight	Lbs.	55	81	84
Sound level rating*	dB(A)	57	59	60

All performance data is based on ambient conditions of 14.7 PSIA and 70° F, and has a tolerance of +/- 10%.

*DIN EN ISO 2151

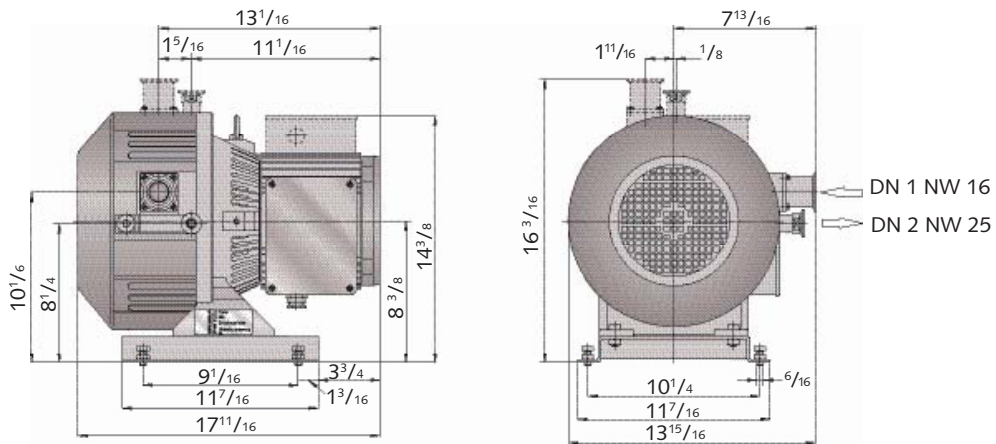
Dimensions

FO 0009-0018 B



Dimensions	A	B	C	D	E	F	G	H	I	J	K	L	M	N
FO 0009 B	15 ³ / ₄	11 ⁷ / ₈	11	11 ¹³ / ₁₆	7 ⁵ / ₈	5 ³ / ₄	6 ¹ / ₁₆	11 ⁵ / ₁₆	1 ³ / ₈	9 ¹⁵ / ₁₆	5 ¹³ / ₁₆	1 ⁹ / ₆	5 ¹ / ₁₆	4 ⁵ / ₁₆
FO 0018 B	17 ³ / ₁₆	13 ¹ / ₄	12 ³ / ₈	12 ³ / ₁₆	8 ¹ / ₈	6 ⁵ / ₁₆	6 ¹ / ₂	12 ¹ / ₂	1 ¹¹ / ₁₆	10 ¹³ / ₁₆	6 ³ / ₄	1 ⁵ / ₈	3 ¹ / ₁₆	5 ⁵ / ₁₆

FO 0030 B



All dimensions in inches unless otherwise noted.

Busch - all over the world in industry

ISO 9001-2000 Registered Company

Busch Inc. 516 Viking Drive Virginia Beach, VA 23452
Phone (757) 463-7800 FAX (757) 463-7407

www.buschpump.com
1-800-USA-PUMP

Amsterdam Barcelona Birmingham Basel Brussels Dublin Göteborg Helsinki Istanbul Copenhagen Kuala Lumpur Milan Maulburg Melbourne Montreal Moscow
 New York New Plymouth Oslo Paris San Jose Sao Paulo Seoul Singapore Taipei Tokyo Vienna